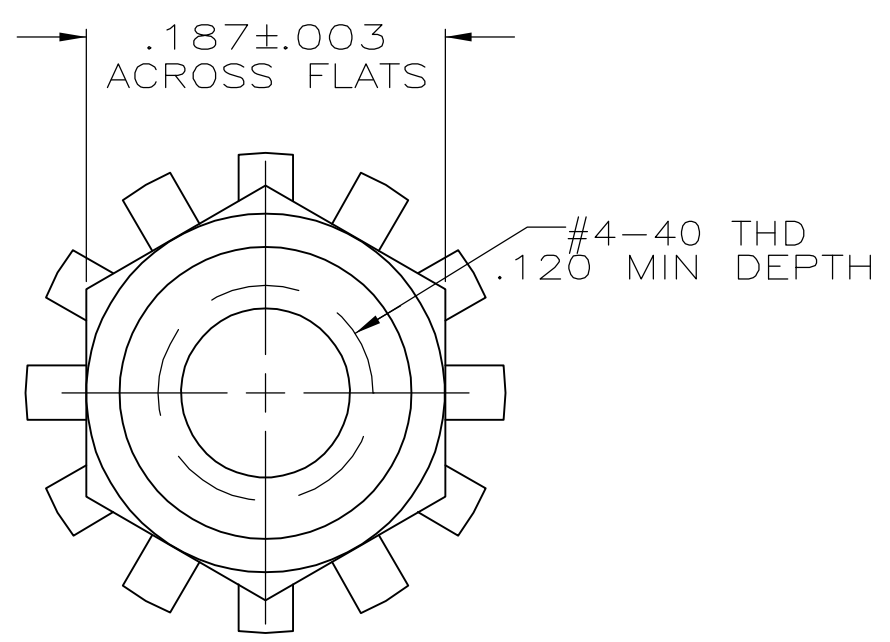
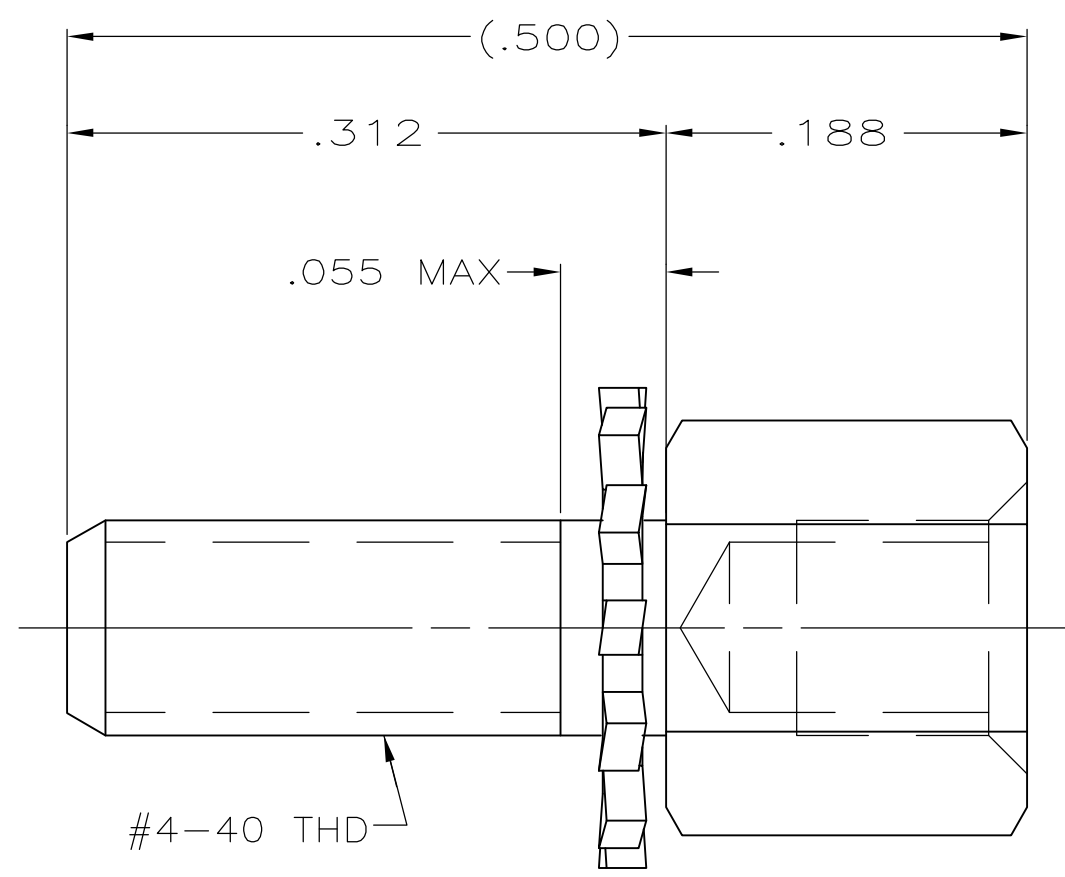


THIS DRAWING IS UNPUBLISHED. RELEASED FOR PUBLICATION  
 © COPYRIGHT BY TYCO ELECTRONICS CORPORATION. ALL RIGHTS RESERVED.

LOC	DIST	REVISIONS					
BD	39	P	LTR	DESCRIPTION	DATE	DWN	APVD
		0		RELEASED PER EC 0S13-0207-05	29JUN05	RR	JG



- 1 ZINC PLATED .000200-.000400 THICK CLEAR CHROMATE COATING.
- 2 PARTS PACKAGED AS A UNIT KIT.
- 3 PARTS INDIVIDUALLY BULK PACKED & SHIPPED AS A UNIT PACKAGE.

3	2	1	5748558-4
2	2	1	5748558-3
PACKAGING	QUANTITY	FINISH	PART NO

THIS DRAWING IS A CONTROLLED DOCUMENT.		DWN R.RICHARDSON 29JUN05	Tyco Electronics Corporation Harrisburg, Pa 17105-3608	
DIMENSIONS: INCHES		CHK J.GERACE 29JUN05		
TOLERANCES UNLESS OTHERWISE SPECIFIED:		APVD M.WALMSLEY 29JUN05	NAME FEMALE SCREWLOCK KIT, W/ EXTERNAL TOOTH LOCK WASHER, AMPLIMITE	
0 PLC ± - 1 PLC ± - 2 PLC ± - 3 PLC ± .005 4 PLC ± - ANGLES ± -		PRODUCT SPEC -	APPLICATION SPEC -	
MATERIAL COLD ROLLED STEEL	FINISH SEE TABLE	WEIGHT -	SIZE A3	CAGE CODE 00779
CUSTOMER DRAWING			DRAWING NO C-5748558	RESTRICTED TO -
			SCALE 10:1	SHEET 1 OF 1
			REV 0	